

AXLE-LESS PRODUCT GUIDE

GO ANYWHERE TOW ANYWHERE



Go off-the-grid with your camper. Tow your ATV trailer to remote trails. Take your custom rig on that overland trek. Our Axle-Less trailer suspensions let you tow anywhere you go. With no thru axle to cause hang ups, you'll experience exceptional ground clearance. And as an independent trailer suspension, you'll maintain maximum control of your rig, even over rough off-road terrain.

GO ANYWHERE. TOW ANYWHERE



HERE'S A BREAKDOWN

STEEL HANGER

Laser-cut holes in hanger for easy, bolt-on installation. 2" square hole allows use of steel tube for frame reinforcement.

FINISH

Durable powder coat finish for improved corrosion resistance and long life.

REBOUND SPRING

Small, rubber spring creates constant tension on jounce spring. Full or empty, your trailer maintains a smooth ride.

BUSHINGS

Premium urethane bushings have small grooves allowing grease to lubricate pivot point effectively.

JOUNCE SPRINGS

Natural rubber compound creates smooth and quiet ride at all times. Unique shape & progressive spring rate allows for variable load conditions.

BUILT-IN CAMBER

Camber appropriate to the suspension capacity has been built into the design of all models.

EASY LUBE SPINDLE

Designed for easy maintenance. Shoot grease through easy-access nipple for maximum lubrication.

OUTBOARD ARM

Four bolts allow you to switch outboard arm configuration easily.



OUR STANDARD SERIES

Highway, Dirt Road, and Gravel

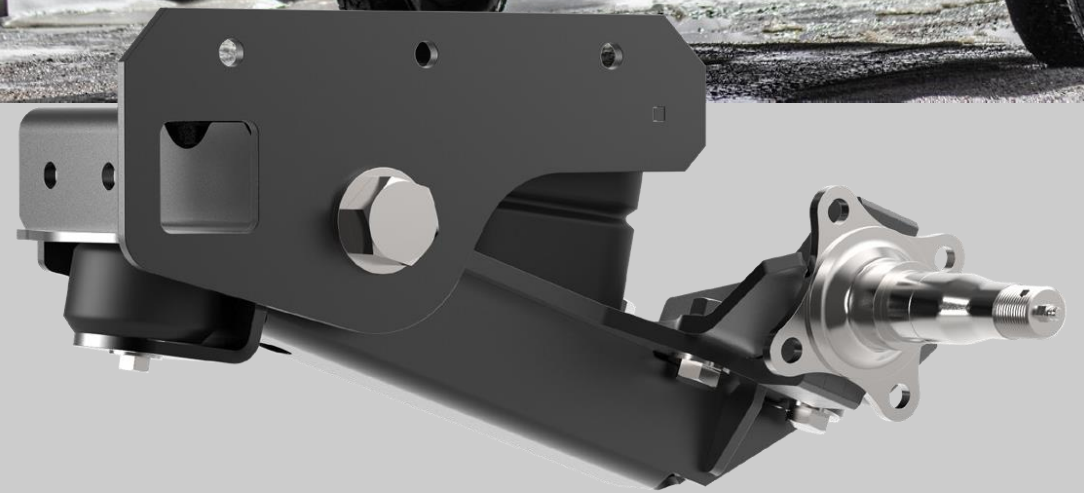
Looking for increased versatility for your utility, landscape, or construction trailer? Designing a trailer to have its deck drop down to the ground? Working on another type of light-fit custom or retrofit rig?

Our Axle-Less trailer suspension kits offer ultimate creative freedom for your custom trailer build.

Axle-Less trailer suspensions feature two Aeon® rubber springs, one for jounce and one for rebound, absorbing road shocks and allowing for a quiet, smooth ride, whether on the highway or down a dirt road.

Our Standard Series are available in these sizes:

1200, 2000, 3500, 5200, 7000



OUR HD SERIES

Rugged Terrain, Offroad/Overland

Go off-the-grid with your camper. Tow your hunting trailer to remote trails. Take your custom rig on that overland trek.

Our HD Axle-Less trailer suspensions are built exclusively for off-roading and overlanding. With no through axle to cause hang-ups, you'll experience exceptional ground clearance. And as an independent trailer suspension, you'll maintain maximum control of your rig over rough off-road terrain.

Components made from heavy-gauge steel support the increased demands of off-road use. And our softer Aeon® rubber spring allows for more suspension travel without compromising strength or capacity.

Our HD Series are available in these sizes:

2000HD, 1 TONNE HD, 3500HD, 5200HD, 7000HD

OUTBOARD ARMS

We make every effort to meet our customer's requirements.

Planning to stick to the pavement?

Make use of the regular straight spindle.

REGULAR STRAIGHT



4" LIFT

LONG STRAIGHT



4" LIFT LONG

2" LIFT



4" DROP

2" LIFT LONG



4" DROP LONG

Need to get the trailer deck as low as possible or maybe maximize ground clearance for an off-road adventure? You will find a wide range of options when it comes to Axle-Less outboard arms.



TIMBREN  **AFRICA**

Ras Vermeulen
+27 (0)81 230 0794

Will Jansen
+27 (0)82 401 0880

